

TYPHOON®

**PLASTIC
PRESSURE REDUCING
AND SUSTAINING**

HYDRAULIC CONTROL VALVE





We Care Every Drop of Water...

That is why our company, which has been developing products in the field of water systems for over 20 years, offers increasingly efficient solutions every day. With our expertise and experience, we continue to develop innovative technologies for the proper control and sustainable use of water.

OUR PRODUCTION CAPACITY IS INCREASING! OUR GOALS ARE BIGGER!

We have been wherever there is water since 2004.

Founded in Izmir by Tayfun Yazarođlu, TAYFUR WATER SYSTEMS set out with the belief that water is the source of life. Beginning with the production of hydraulic control valves, this journey has now transformed into a strong and reliable brand offering innovative solutions across a wide range of areas, including irrigation, drinking water, firefighting and industrial systems.

In every project, while determining the direction of water, we are also shaping the sustainable infrastructure of the future. From production to project design, from installation to technical support, we work without compromising on high quality standards, with our state-of-the-art facilities and expert team. We aim to offer our customers not just products, but also trust, continuity and technical excellence.

TYPHOON branded products are developed entirely with our own production capabilities and local engineering expertise. These products stand out not only for their durability, but also for our philosophy of preserving the value of every drop. Thanks to our production processes that comply with international standards and our customer satisfaction-focused approach, we are proud to be recognised as a reliable business partner both domestically and globally.

Today, TAYFUR WATER SYSTEMS, a brand with roots in Izmir, continues on its path with the vision of being a symbol of quality, innovation, and trust wherever water is present.





Agricultural Irrigation Systems

The foundation of efficient agricultural production lies in delivering water at the right time, in the right quantity, and to the right location. Modern agricultural irrigation systems ensure both the efficient use of water resources and an increase in product quality and yield. The solutions developed in this context enable farmers to achieve a sustainable production structure independent of climatic conditions.

At TAYFUR WATER SYSTEMS, with our many years of engineering experience in the field of agricultural irrigation, we manufacture critical components such as hydraulic control valves, suction valves, backwash valves and meters to high quality standards. Each of our products saves energy by increasing the automation capabilities of the systems, prevents water wastage and minimises maintenance requirements. Thus, we offer reliable and long-lasting solutions for both small-scale businesses and large agricultural projects.

The products we develop are designed in accordance with international standards and tested to deliver maximum performance in challenging field conditions. At TAYFUR WATER SYSTEMS, our goal is to provide smart, durable, and sustainable systems for producers who value every drop. Because we believe that by determining the direction of water, we are shaping the future of agriculture.



Industrial Area Systems

Proper water management in industrial facilities is critical to the efficiency and sustainability of production processes. Every application, from pressurised lines to cooling circuits, fire systems to process lines, requires precise control and high durability. Therefore, the performance of equipment used in industrial systems is directly related to facility safety and operational continuity.

At TAYFUR WATER SYSTEMS, we manufacture products that play a critical role in industrial applications, such as hydraulic control valves, backwash valves, vacuum breakers, and meters, to high engineering standards. Our products adapt to harsh working conditions with their high pressure resistance, corrosion resistance, and long service life. By providing complete control over fluid management, they increase energy efficiency in systems and minimise maintenance times.

Designed to comply with international standards, our solutions are trusted across a wide range of applications, from factories to power plants, water treatment facilities to infrastructure projects. At TAYFUR WATER SYSTEMS, our goal is to make industrial water management smarter, safer and more sustainable, providing our customers with the assurance of uninterrupted operations.



Fire Systems

Fire safety is one of the most vital elements of every structure, from industrial facilities to public buildings, infrastructure projects to living spaces. The reliability of the equipment used in these systems is critical not only for the protection of the facility but also for the protection of human life.

As TAYFUR WATER SYSTEMS, we are a company specialising in the production of hydraulic control valves to ensure maximum safety in fire lines. Our products are designed to guarantee the fast, reliable and uninterrupted operation of fire systems. These valves, which stand out for their high pressure resistance, leak-proof performance and long service life, are tested in accordance with international standards and offered with quality assurance.

With our advanced engineering infrastructure and production experience, we produce solutions that can be used safely in various applications, from automatic sprinkler systems to fire pump stations. At TAYFUR WATER SYSTEMS, our goal is not just to manufacture products; it is to be part of systems that make a difference in fire safety, inspire confidence, and protect life.



Filter Automation

Water is a vital resource that must be managed with maximum efficiency during the filtration stage, as it is in many industrial and agricultural processes. Proper automation in filtration systems is critical in terms of energy savings, ease of maintenance, and system continuity. An effective filter automation system determines not only the quality of the water but also the lifespan and efficiency of the entire system.

At TAYFUR WATER SYSTEMS, we offer comprehensive solutions in the field of filter automation. Our products, such as hydraulic control valves, backwash valves and panels, bottom valves, and dirt traps, ensure precise flow management in automatic filter systems. Our products optimise the water filtration process while performing backwashing operations precisely and efficiently. This reduces the risk of clogging in systems, prevents energy losses, and extends maintenance intervals.

All our products stand out with their durable material construction, precise control capability, and long-lasting design. At TAYFUR WATER SYSTEMS, our goal is to provide our customers with smart, reliable, and sustainable automation solutions by maximising efficiency in filtration processes. Because we believe that water purity begins with system safety.

Pressure Reducing and Pressure Sustaining Control Valve



TYPHOON Plastic Pressure Reducing and Pressure-Sustaining Control Valves are automatic plastic hydraulic valves that control outlet pressure at the desired value by maintaining a constant inlet pressure. Two pilots located on the valve ensure precise pressure management in the system: the upstream pressure-balancing pilot stabilizes the inlet pressure, while the other pilot reduces the outlet pressure to the desired level, ensuring constant pressure.

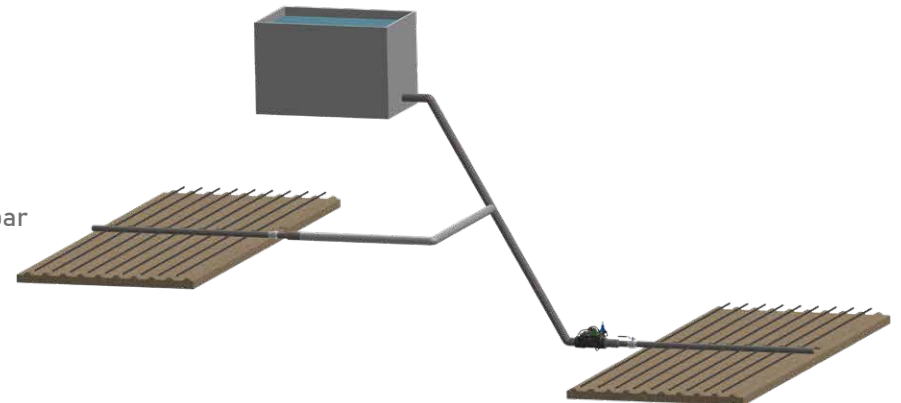
These valves maintain normal system operating conditions by reducing excessive downstream flow and reducing excessive pressure. Thanks to their plastic body and diaphragm design, they operate with minimal pressure loss and continuously control inlet and outlet pressures without being affected by flow fluctuations. TYPHOON Plastic Pressure Reducing and Pressure-Sustaining Valves provide reliable and energy-efficient pressure management in agricultural irrigation, drinking water lines, filtration, and industrial applications.

Pressure Range : PN 10
Diameters : 3/4" - 1" - 1 1/2" - 2" - 2 1/2" - 3"R - 3" - 4"
DN80 - DN100 - DN150 Flanged

Order Information

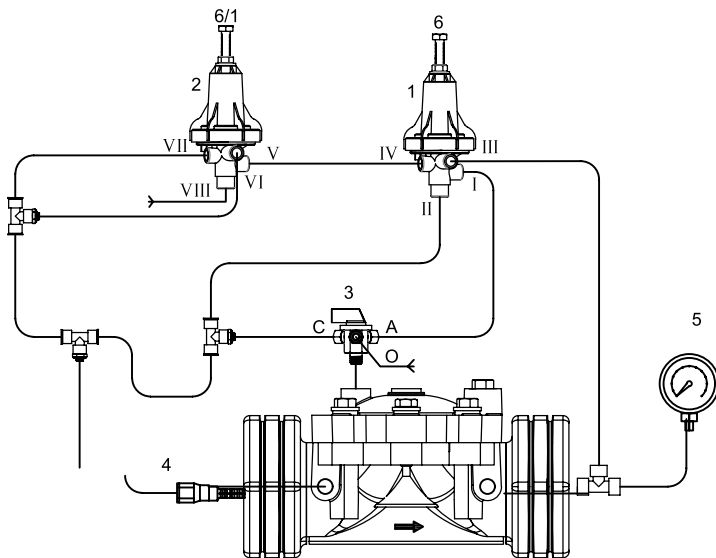
Please provide the following information in case of order

- Maximum flow rate : m³/h
- Maximum network/operating pressure : bar
- Main pipeline diameter : mm
- Valve connection type
- Maximum valve inlet pressure : bar
- Minimum valve inlet pressure : bar
- Desired outlet pressure : bar
- Desired valve inlet pressure : bar



Assembly

- After connecting the 4 number finger filter to the valve Inlet, one output of the Te connection element is connected to the connection element by combining the “VI” and “VII” output of the pressure stabilizer pilot. The other output of the Te connection element is connected to the “II” output of the press stabilizer pilot and to the “C” output of the 3-way valve closed.
- The “V” output of the pressure stabilizer pilot is connected to the “IV” output of the pressure reducing pilot with the necessary connection elements.
- Te connection element is connected to Valve outlet - One output of the Te connection element is connected to the “III” output of the pressure reducing pilot and the other output is connected to the manometer.
- Valve rated diameter should be the same or a small rated diameter as the line diameter.
- In the direction of the arrow indicated on the valve Mount.
- Isolation valves (butterfly or sliding valve etc.) in the line Assembly of the valve.B) it is recommended to use air discharge valve, quick pressure discharge control valve (QR) and dirt retaining valves.
- Cavitation risk during pressure drop is dangerous for valve body. Adjust the output pressure value you want to adjust by looking at the cavitation chart or contact our company.



- 1 Pressure Lowering Pilot
- 2 Pressure Stabilizer Pilot
- 3 Three-Way Valve
- 4 Finger Filter
- 5 Manometer
- 6 Pressure Adjustment Bolt

Adjustment

- Turn on the pump or turn on the mains main valve and give water to the system.
- Adjust the desired input pressure value by looking at the manometer with the adjustment Bolt 6/1” on pilot valve indicated by “2”. After setting the adjustment point, tighten the control nut.
- Adjust the pressure reducing pilot valve indicated by “1” by looking at the manometer through “6” on the adjustment Bolt. The manometer valve shows the output pressure value. After setting the adjustment point, tighten the control nut under the adjustment Bolt.
- When you turn both pilot valves in clockwise direction, the pressure value will increase and the pressure value will decrease when you turn it in counterclockwise direction.

Plastic Hydraulic Control Valves

TYPHOON Plastic Hydraulic Control Valves are designed as automatic control valves operated using diaphragm line pressure, providing reliable and precise flow control in agricultural irrigation, drinking water lines, filtration, and industrial applications. These valves adapt to system pressure and flow changes without requiring manual intervention, contributing to continuous and efficient operation.

The valve's body and diaphragm design ensures smooth flow with minimal pressure loss and increases energy efficiency. Because there are no bearings, bushings, or shafts in the body, the valve has a long lifespan and minimal maintenance requirements. The diaphragm, the sole moving part of the valve, provides precise and reliable control in the system and maintains its performance even during long-term use.

Thanks to their durable construction and automatic operation, TYPHOON Plastic Hydraulic Control Valves are preferred in a wide range of applications, from agricultural irrigation lines to drinking water distribution systems, from filtration units to industrial process lines. Flexible installation options and reliable performance offer long-lasting and efficient solutions suitable for a variety of operating conditions.

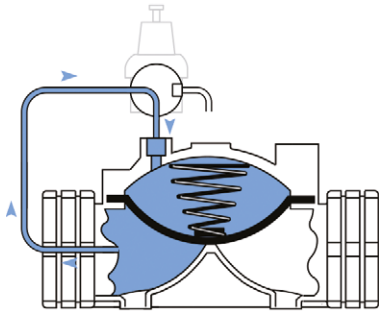
Plastic hydraulic control valves are available in flanged, threaded, angled, and Y-type varieties.



Working Principles

Plastic hydraulic control valves are pressure-controlled valves that use the water pressure in the system to automatically shut off the flow or partially control it. Thanks to their durable plastic body construction, they offer high resistance to corrosion and are safely used especially in agricultural irrigation, landscaping, and industrial water applications.

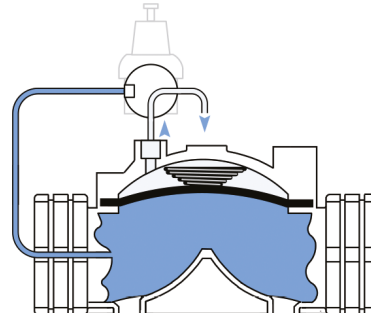
These valves change the position of the diaphragm using the pressure on the line. The pressure difference between the upper and lower chambers of the diaphragm causes the valve to switch to the open, closed or modulated position. The control signal is usually transmitted via a pilot valve, pressure regulator or solenoid control system.



Valve Closing Mode

In the closed position, line pressure is applied to the upper chamber of the valve diaphragm. The pressurised water filling the upper chamber pushes the diaphragm downwards, ensuring that the main valve seat is fully seated. In this state, the valve completely cuts off the flow and closes the line.

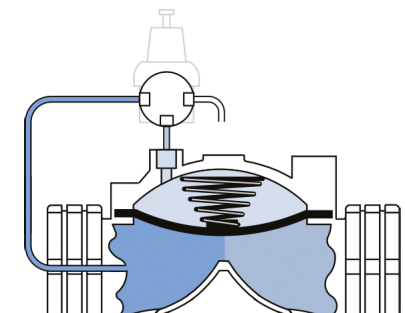
Thanks to its plastic body structure, the valve behaves flexibly against sudden pressure changes, ensuring safer system operation. The closing speed can be adjusted using a pilot valve or needle valve to achieve closure within the desired time.



Valve Opening Mode

In the open mode, the pressure in the upper chamber of the diaphragm is released via the control line or pilot system. When the pressure in the upper chamber drops, the line pressure acts on the lower surface of the diaphragm and the flap moves upwards, opening the valve.

In this case, the fluid flows freely through the valve body. The opening speed can again be adjusted using control valves or regulation elements. The plastic body reduces friction losses, allowing water to flow more efficiently and quietly.



Modulating Mode

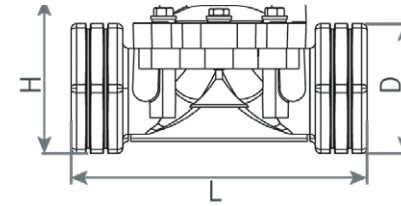
In modulation mode, the valve operates in a partially open position to maintain a constant system pressure or flow rate. This mode is particularly used in pressure reducing, flow control or level control systems. Pilot valves or sensor-supported control systems optimise the valve opening by continuously adjusting the pressure on the diaphragm.

In plastic valves, this mode provides high response sensitivity thanks to both the lightweight construction and the flexible diaphragm design. This reduces pressure fluctuations, increases system stability and maintains energy efficiency.

Threaded / Regular Body

Main Components

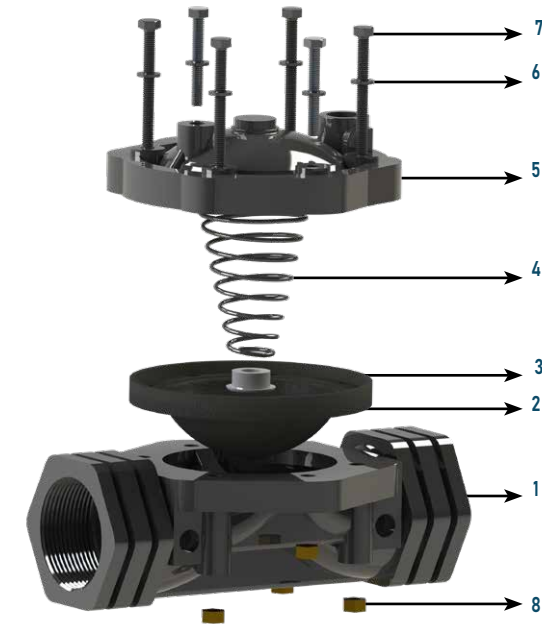
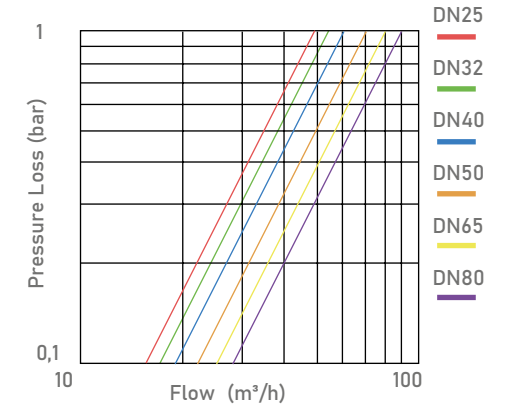
| # | Material Name | Material Type |
|---|---------------|----------------------------------|
| 1 | Body | Glass Fiber Reinforced Polyamide |
| 2 | Diaphragm | Natural Rubber |
| 3 | Spring Wedge | Polypropylene |
| 4 | Spring | SST 302 |
| 5 | Cover | Glass Fiber Reinforced Polyamide |
| 6 | Washer | A2 Stainless Steel |
| 7 | Bolt | A2 Stainless Steel |
| 8 | Nut | Brass |



Dimensions and Weight

| | DN | | D | | L | | H | | Weight | |
|-----|------|-----|------|-----|------|-----|------|--------|--------|------|
| | inch | mm | inch | mm | inch | mm | inch | mm | Lbs | Kg |
| ¾ | ¾ | 20 | 1,73 | 44 | 5,51 | 140 | 2,36 | 62,50 | 0,66 | 0,30 |
| 1 | 1 | 25 | 1,73 | 44 | 5,51 | 140 | 2,36 | 62,50 | 0,66 | 0,30 |
| 1½ | 1½ | 40 | 2,48 | 63 | 7,91 | 201 | 4,28 | 100,00 | 2,54 | 1,15 |
| 2 | 2 | 50 | 2,95 | 75 | 8,07 | 211 | 4,33 | 105,50 | 2,65 | 1,20 |
| 2½ | 2½ | 65 | 3,66 | 93 | 8,64 | 219 | 4,64 | 112,50 | 3,09 | 1,40 |
| 3"R | 3"R | 80R | 4,33 | 110 | 8,78 | 223 | 4,88 | 124,50 | 3,42 | 1,55 |

Pressure Loss Table



Hydraulic Performance

| | inch | mm | inch | mm | inch | mm | inch | mm | inch | mm | inch | mm |
|----------------|------|----|------|----|------|----|------|----|------|----|------|-----|
| Valve Diameter | ¾ | 25 | 1 | 32 | 1½ | 40 | 2 | 50 | 2½ | 65 | 3"R | 80R |
| Kv m³/h@1bar | 50 | | 55 | | 60 | | 70 | | 80 | | 90 | |
| Cv gmp@1psi | 56 | | 66 | | 69 | | 81 | | 92 | | 104 | |

$$Kv(Cv) = Q \cdot \sqrt{G/\Delta P}$$

Kv : Valve Flow Coefficient (Flow rate at 1 Bar Pressure Loss m³/h @ 1 Bar)

Cv : Valve Flow Coefficient (Flow Rate at 1 Psi Pressure Loss Gpm @ 1 Psi)

Q : Flow (m³/h, gpm)

Cv = 1,155Kv

ΔP : Pressure Loss(bar, psi)

G : Specific Gravity of Water (Water=1.0)

Model

| | | |
|------------------------|----------------------------|-----|
| Connection | Threaded | |
| Material | Glass Reinforced Polyamide | |
| Body | Globe | |
| Current Diameters | inch | mm |
| | ¾ | 25 |
| | 1 | 32 |
| | 1½ | 40 |
| | 2 | 50 |
| | 2½ | 65 |
| | 3"R | 80R |
| Maxi. Working Pressure | 10 Bar | |

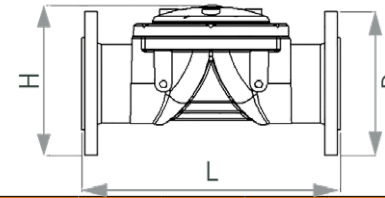
Flanged - Threaded / Large Body

Main Components

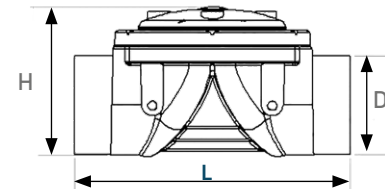
| # | Material Name | Material Type |
|----|----------------|----------------------------------|
| 1 | Body | Glass Fiber Reinforced Polyamide |
| 2 | Flange Adapter | Glass Fiber Reinforced Polyamide |
| 3 | Flange | Glass Fiber Reinforced Polyamide |
| 4 | Diaphragm | Natural Rubber |
| 5 | Spring Mount | Polypropylene |
| 6 | Spring | SST302 |
| 7 | Cover | Glass Fiber Reinforced Polyamide |
| 8 | Bolt | 8.8 Coated Steel |
| 9 | Nut | 8.8 Coated Steel |
| 10 | Washer | 8.8 Coated Steel |



Dimensions and Weight



| DN | | D | | L | | H | | Weight | |
|------|-----|-------|-----|-------|-----|-------|-----|--------|------|
| inch | mm | inch | mm | inch | mm | inch | mm | Lbs | Kg |
| 3 | 80 | 7,87 | 200 | 14,57 | 370 | 8,66 | 220 | 14,52 | 6,60 |
| 4 | 100 | 9,00 | 227 | 14,57 | 370 | 9,17 | 233 | 16,28 | 7,40 |
| 5 | 125 | 10,11 | 257 | 13,35 | 390 | 9,96 | 253 | 16,53 | 7,5 |
| 6 | 150 | 11,02 | 280 | 15,55 | 395 | 10,43 | 265 | 16,76 | 7,6 |



| DN | | D | | L | | H | | Weight | |
|------|-----|------|-----|-------|-----|------|-----|--------|------|
| inch | mm | inch | mm | inch | mm | inch | mm | Lbs | Kg |
| 3 | 80 | 4,72 | 120 | 11,58 | 294 | 7,05 | 179 | 10,25 | 4,65 |
| 4 | 100 | 4,72 | 120 | 13,23 | 336 | 7,28 | 185 | 9,70 | 4,40 |

Hydraulic Performance

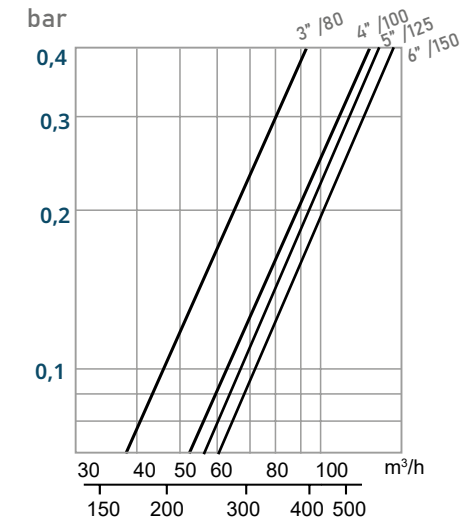
| | inch | mm | inch | mm | inch | mm | inch | mm |
|----------------|------|----|------|-----|------|-----|------|-----|
| Valve Diameter | 3 | 80 | 4 | 100 | 5 | 125 | 6 | 150 |
| Kv m³/h@1bar | 166 | | 208 | | 215 | | 220 | |
| Cv gmp@1psi | 193 | | 242 | | 248 | | 260 | |

$$Kv(Cv) = Q \cdot \sqrt{G/\Delta P}$$

Kv : Valve Flow Coefficient (Flow rate at 1 Bar Pressure Loss m³/h @ 1 Bar)
Cv : Valve Flow Coefficient (Flow Rate at 1 Psi Pressure Loss Gpm @ 1 Psi)
Q : Flow (m³/h, gpm)

Cv = 1,155Kv
ΔP : Pressure Loss(bar, psi)
G : Specific Gravity of Water (Water=1.0)

Pressure Loss Table



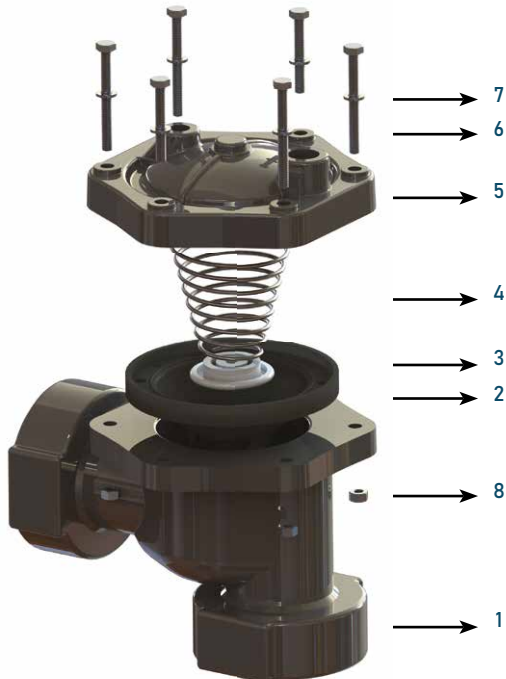
Model

| | | |
|------------------------|----------------------------|---------------|
| Connection | Flanged / Threaded | |
| Material | Glass Reinforced Polyamide | |
| Body | Globe | |
| Current Diameters | inch | mm |
| | 3 | 80 |
| | 4 | 100 |
| | 5 | 125 |
| Maxi. Working Pressure | 6 | 150 (Flanged) |
| | 10 Bar | |

Threaded / Angled Body

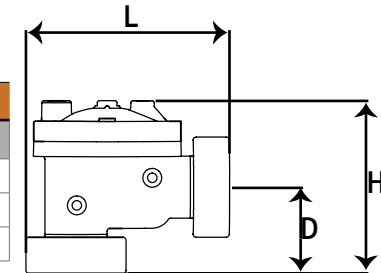
Main Components

| # | Material Name | Material Type |
|---|---------------|----------------------------------|
| 1 | Body | Glass Fiber Reinforced Polyamide |
| 2 | Diaphragm | Natural Rubber |
| 3 | Spring Mount | Polypropylene |
| 4 | Spring | SST 302 |
| 5 | Cover | Glass Fiber Reinforced Polyamide |
| 6 | Bolt | A2 Stainless Steel |
| 7 | Washer | A2 Stainless Steel |
| 8 | Nut | Brass |

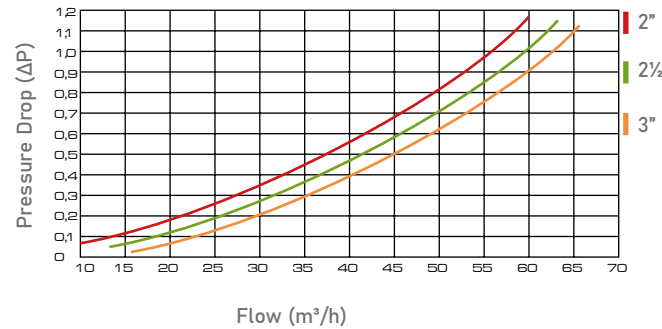


Dimensions and Weight

| DN | | D | | L | | H | | Weight | |
|------|-----|------|----|------|-----|------|-----|--------|------|
| inch | mm | inch | mm | inch | mm | inch | mm | Lbs | Kg |
| 2 | 50 | 3,4 | 86 | 8 | 203 | 6,77 | 172 | 2,86 | 1,30 |
| 2½ | 65 | 3,4 | 86 | 8 | 203 | 6,77 | 172 | 2,86 | 1,20 |
| 3"R | 80R | 3,4 | 86 | 8 | 203 | 6,77 | 172 | 2,86 | 1,06 |



Pressure Loss Table



| | inch | mm | inch | mm | inch | mm |
|----------------|------|----|------|----|------|-----|
| Valve Diameter | 2 | 50 | 2½ | 65 | 3"R | 80R |
| Kv m³/h@1bar | 51,0 | | 56,0 | | 66,0 | |
| Cv gmp@1psi | 58,9 | | 64,7 | | 76,2 | |

Model

| | | |
|------------------------|----------------------------|-----|
| Connection | Threaded | |
| Material | Glass Reinforced Polyamide | |
| Body | Globe | |
| Current Diameters | inch | mm |
| | 2 | 50 |
| | 2½ | 65 |
| | 3"R | 80R |
| Maxi. Working Pressure | 10 Bar | |

$$Kv(Cv) = Q \cdot \sqrt{G/\Delta P}$$

Kv : Valve Flow Coefficient (Flow rate at 1 Bar Pressure Loss m³/h @ 1 Bar)
Cv : Valve Flow Coefficient (Flow Rate at 1 Psi Pressure Loss Gpm @ 1 Psi)
Q : Flow (m³/h, gpm)

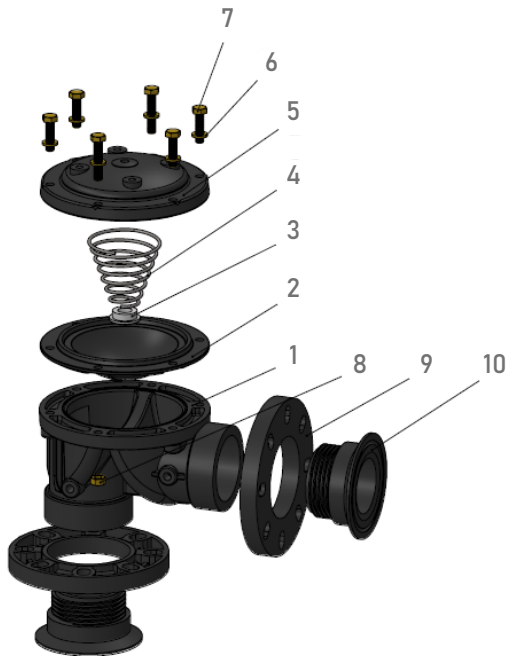
Cv = 1,155Kv
ΔP : Pressure Loss(bar, psi)
G : Specific Gravity of Water (Water=1.0)

Technical Specifications

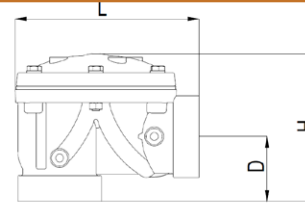
Plastic Hydraulic Control Valves

Flanged - Threaded / Angled Large Body

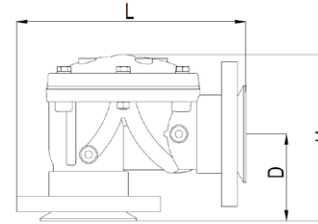
Main Components



Dimensions and Weight



| DN | | D | | L | | H | | Weight | |
|------|-----|------|----|------|-----|------|-----|--------|------|
| inch | mm | inch | mm | inch | mm | inch | mm | Lbs | Kg |
| 3 | 80 | 3,9 | 99 | 10,9 | 277 | 8,78 | 223 | 11,13 | 5,05 |
| 4 | 100 | 3,9 | 99 | 10,9 | 277 | 8,78 | 223 | 10,8 | 4,90 |



| DN | | D | | L | | H | | Weight | |
|------|-----|------|-----|-------|-----|-------|-----|--------|-----|
| inch | mm | inch | mm | inch | mm | inch | mm | Lbs | Kg |
| 3 | 80 | 5,08 | 129 | 13,42 | 341 | 9,96 | 253 | 15,43 | 7 |
| 4 | 100 | 5,35 | 136 | 14,84 | 377 | 10,28 | 261 | 17,19 | 7,8 |
| 6 | 150 | 6,38 | 162 | 16,18 | 411 | 11,14 | 283 | 17,64 | 8 |

Model

| | | |
|--------------------------|----------------------------|-----|
| Connection | Flanged / Threaded | |
| Material | Glass Reinforced Polyamide | |
| Body | Globe | |
| Current Diameters | inch | mm |
| | 3 | 80 |
| | 4 | 100 |
| Maximum Working Pressure | 10 Bar | |

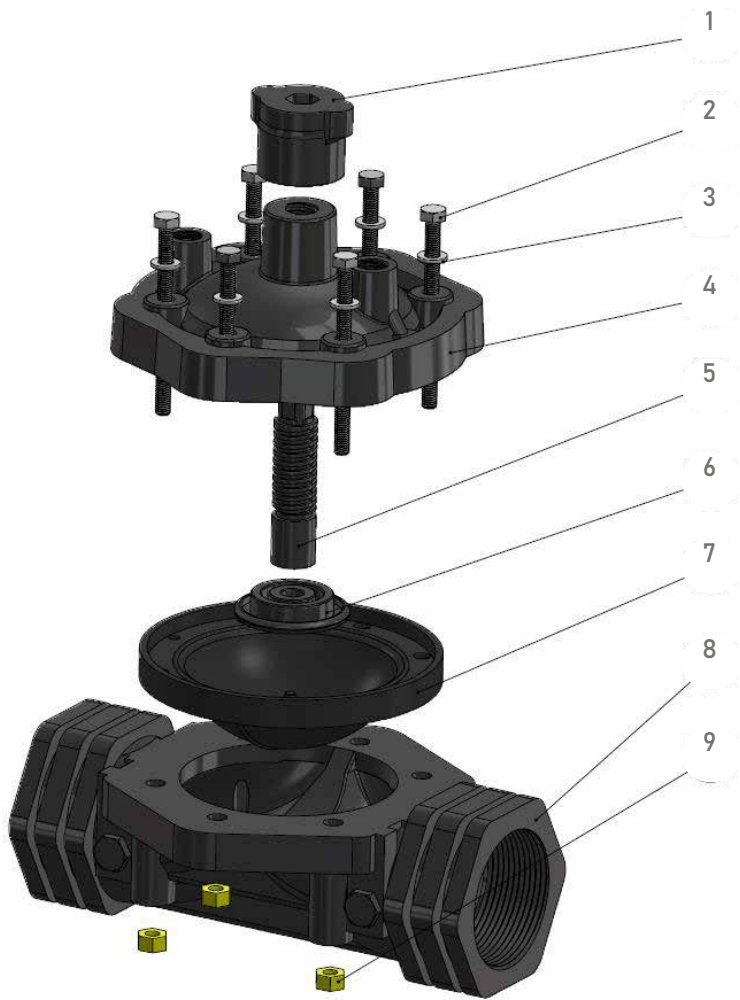
$$Kv(Cv) = Q \cdot \sqrt{G/\Delta P}$$

Kv : Valve Flow Coefficient (Flow rate at 1 Bar Pressure Loss m³/h @ 1 Bar)
Cv : Valve Flow Coefficient (Flow Rate at 1 Psi Pressure Loss Gpm @ 1 Psi)
Q : Flow (m³/h, gpm)

Cv = 1,155Kv
ΔP : Pressure Loss(bar, psi)
G : Specific Gravity of Water (Water=1.0)

Manual Flow Controlled

The flow rate in the line can be reduced using the flow control lever on the cover.



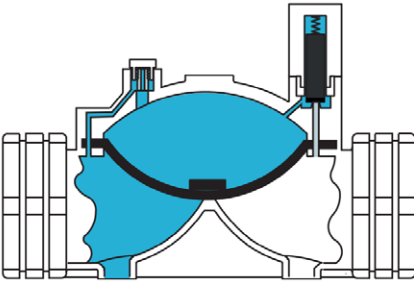
| # | Material Name | Material Type |
|---|---------------|-----------------|
| 1 | Flow Cover | Polypropylene |
| 2 | Bolt | Stainless Steel |
| 3 | Washer | Stainless Steel |
| 4 | Cover | GRP |
| 5 | Flow Shaft | Polypropylene |
| 6 | Spring Stamp | Polypropylene |
| 7 | Diaphragm | Natural Rubber |
| 8 | Body | GRP |
| 9 | Nut | Brass |

| Current Diameters | |
|-------------------|--------|
| Threaded | 3/4" |
| | 1" |
| | 1 1/2" |
| | 2" |
| | 2 1/2" |
| | 3" |
| Flanged | 3"L |
| | 4"L |
| | DN80 |
| Angled Threaded | DN100 |
| | 2" |
| | 2 1/2" |
| Angled Flanged | 3" |
| | DN80 |
| | DN100 |

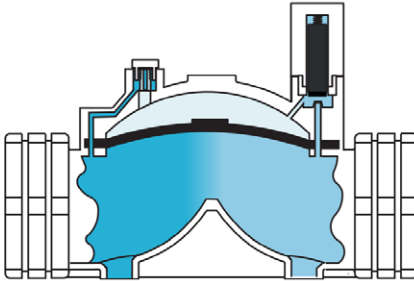
Two-Way Solenoid Usage

It is controlled by a two-way solenoid valve connected to the main valve. Normally closed, the valve switches to the open position when a signal is received or when manually operated.

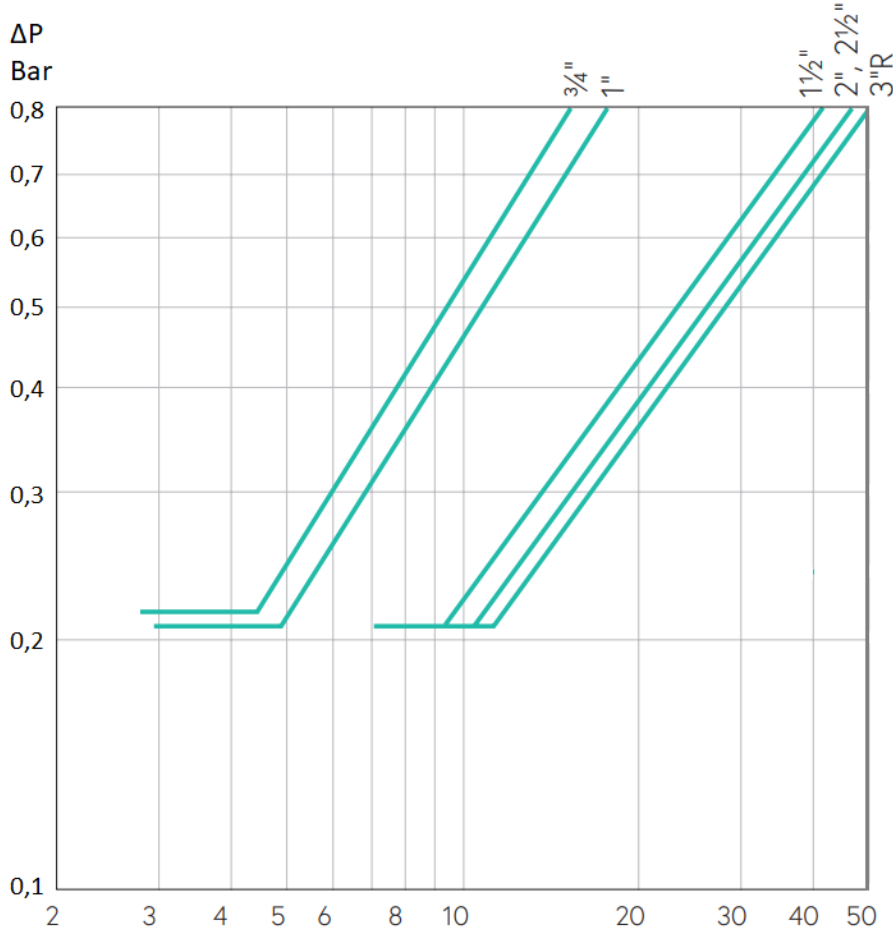
Valve Opening Mode



Valve Closing Mode



Pressure Loss Table



Y Type Plastic Hydraulic Control Valve



TYPHOON Plastic Y-Type Automatic Hydraulic Control Valves are manufactured from plastic in a „Y“ body design, ensuring minimal pressure loss, cavitation, and noise, even under challenging operating conditions with high pressure differentials thanks to their high modulation capacity. This special body structure allows the valve to direct flow most efficiently, optimizing system performance and ensuring long-lasting operation.

The valve is equipped with a dual-chamber diaphragm actuator and operates as standard with two control chambers. It can be used as a single-chamber system without adding an additional control chamber when needed. A V-Port disc option is also available for precise control in low-flow applications. Thanks to the valve shaft rigidly mounted on the valve body, the valve operates smoothly and with control, opening and closing completely leak-tight without causing any pulsation.

TYPHOON Plastic Y-Type Automatic Hydraulic Control Valves can be customized to perform different functions by adding various control components to the Basic plastic valve body. These valves provide reliable and precise flow control in a variety of applications, including agricultural irrigation, drinking water pumping lines, fire systems, filtration, and industrial applications. With their durable plastic bodies and flexible application options, TYPHOON Y-Type valves ensure efficient and long-lasting system operation.

Order Information

Please provide the following information in case of order

- Maksimum Flow miktarı : m³/h
- Maksimum şebeke / işletme basıncı : bar
- Ana boru hat çapı : mm
- Vana bağlantı tipi

Features

- Its simple structure makes it easy to use and maintain.
- Low cost.
- Operates over a wide pressure range.
- Flawless modulation even at low flow rates.
- Flexible diaphragm for smooth on-off operation.
- Reinforced diaphragm and internal spring for complete sealing.
- Epoxy-Polyester coating for long life.
- A wide range of control applications are available with the use of various pilot valves.
- Ability to operate in horizontal and vertical positions in application areas.

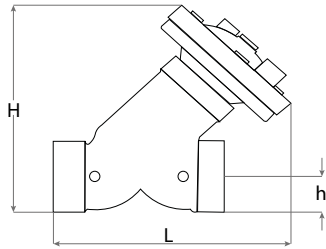
Technical Specifications

Y Type Plastic Hydraulic Control Valves

Main Components

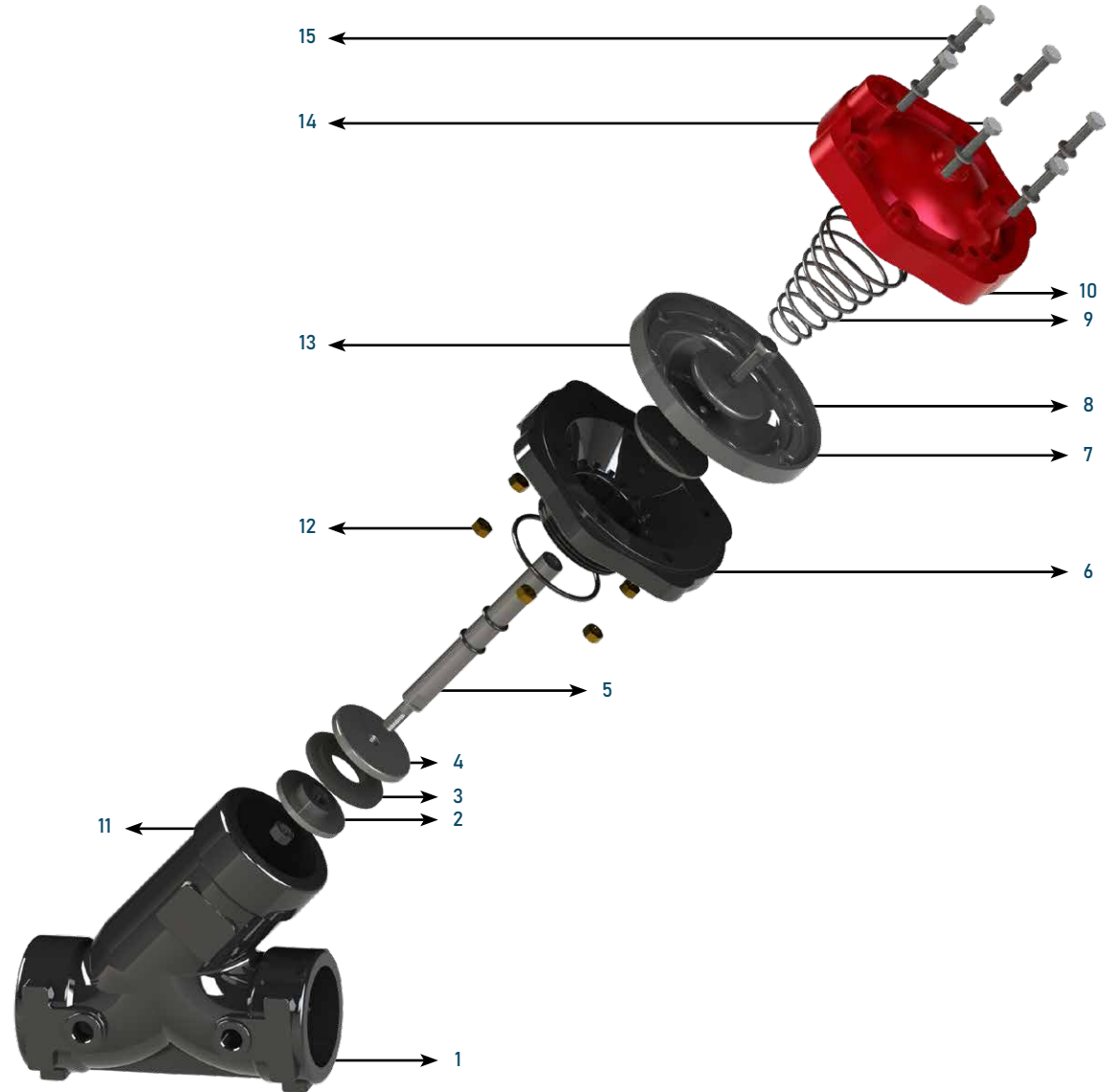
| # | Material Name | Material Type |
|----|-------------------|----------------------------------|
| 1 | Body | Glass Fiber Reinforced Polyamide |
| 2 | Valve | Stainless Steel |
| 3 | Sealing Rubber | EPDM |
| 4 | Cup | Stainless Steel |
| 5 | Shaft | Stainless Steel |
| 6 | Bottom Cover | Glass Fiber Reinforced Polyamide |
| 7 | Diaphragm | Natural Rubber |
| 8 | Diaphragm Support | Stainless Steel |
| 9 | Spring | Stainless Steel |
| 10 | Top Cover | Glass Fiber Reinforced Polyamide |
| 11 | Nut | Stainless Steel |
| 12 | Nut | Brass |
| 13 | Bolt | Stainless Steel |
| 14 | Bolt | Stainless Steel |
| 15 | Washer | Stainless Steel |

Operating Temperature: Maximum 80°C
 Operating Pressure: Maximum 10 Bar

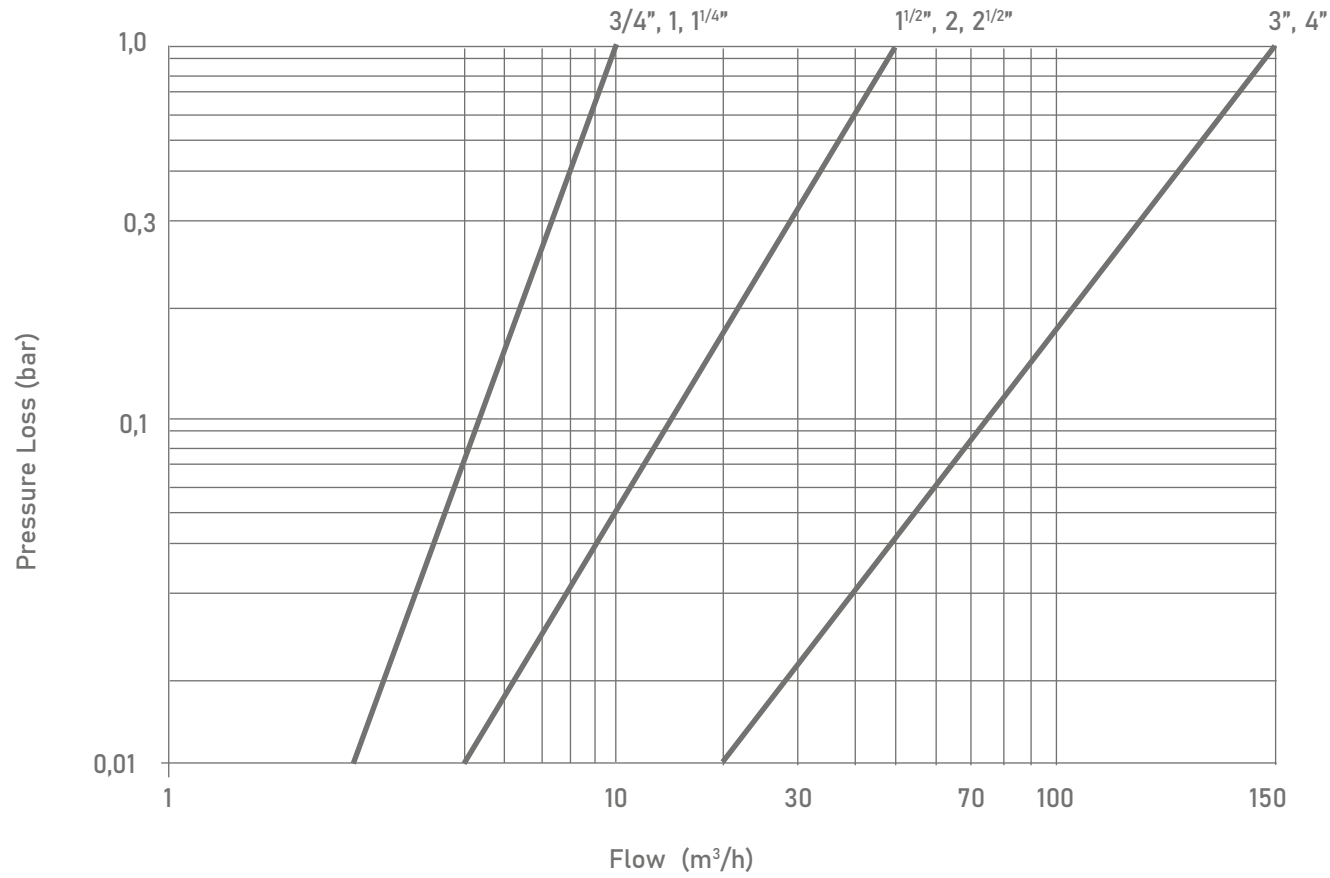


Dimensions and Weights

| DN | | L | | h | | H | | Weight | |
|------|----|------|-----|------|----|------|-----|--------|------|
| inch | mm | inch | mm | inch | mm | inch | mm | Lbs | Kg |
| 2 | 50 | 6,49 | 165 | 1,49 | 38 | 8,86 | 225 | 3,86 | 1,75 |
| ¾ | 20 | 5,31 | 135 | 1,02 | 26 | 5,23 | 133 | 2,09 | 0,95 |
| 1 | 25 | 5,31 | 135 | 1,02 | 26 | 5,23 | 133 | 2,20 | 1,00 |
| 1¼ | 32 | 5,31 | 135 | 1,14 | 29 | 5,23 | 133 | 2,31 | 1,05 |
| 1½ | 40 | 8,78 | 165 | 1,49 | 38 | 8,86 | 225 | 3,86 | 1,75 |
| 2 | 50 | 6,49 | 165 | 1,49 | 38 | 8,86 | 255 | 3,86 | 1,75 |



Pressure Loss Table

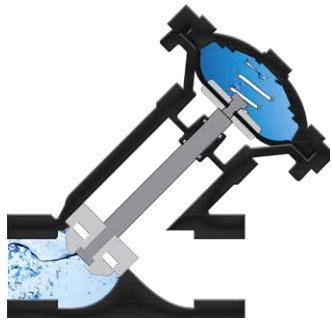
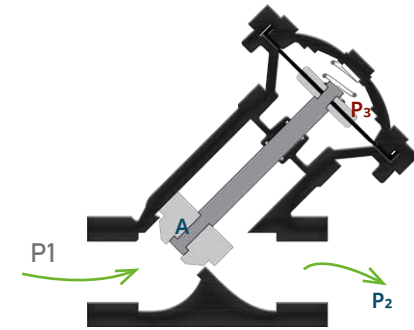


Working Principles

These are automatic control valves with double-chamber diaphragm actuators and flap closure, used to perform the desired hydraulic operations using line pressure without the need for energy sources in the network line.

P1: Inlet Pressure
P2: Outlet Pressure
P3: Actuator Pressure

Pyay: Spring Force
A: Valve Effect Area



Valve Closing Mode

When the pilots on the main control valve deliver the inlet pressure (P1) to the diaphragm, the water creates hydraulic force. This force causes the valve disc to seat against the body seat, ensuring the valve closes completely without leakage.

If we examine the forces involved in closing the valve, $P3 \times 3A + Pyay > P1 \times A$

is obtained. When there is no external effect on the area indicated by the P3 pressure, the P3 pressure equals the maximum P1 pressure. The $P3 \times 3A$ force overcomes the $P1 \times A$ force together with the spring force, and the valve closes completely without leakage.



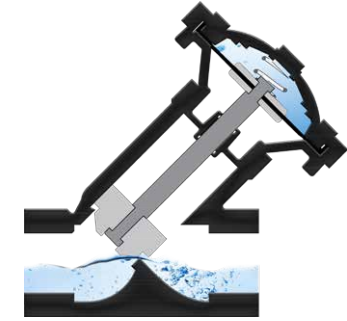
Valve Opening Mode

The inlet pressure of the main control valve overcomes the Pyay force, which assists in the closing operation, and the force created by the P3 pressure on the diaphragm, thereby opening the valve.

If we examine the forces involved in opening the valve:

$$P1 \times A > Pyay + P3 \times 3A$$

is obtained. Since the area represented by the P3 pressure is discharged, the differential pressure becomes 0. Thus, the $P1 \times A$ force overcomes the spring force, enabling the valve to open. The spring force determines the minimum opening pressure required to open the valve.



Modulating Mode

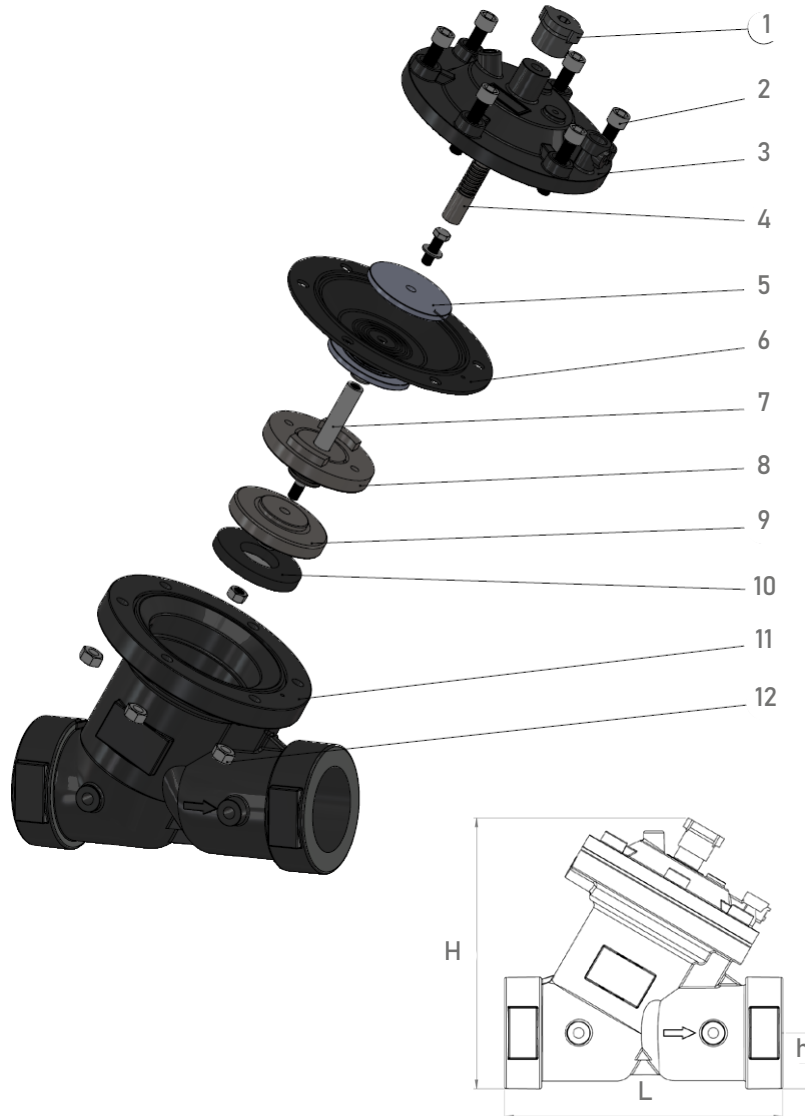
Ana kontrol vanasının üzerinde bulunan pilotlar alt ensures operation in modulation mode by continuously monitoring the pressure of the winterising valve.

If the forces involved in the valve's operation in modulation mode are examined:

$$P1 \times A + P2 \times 3A = P3 \times 3A + Pyay + P2 \times A$$

is obtained. The pilot valve, which enables the valve to operate in modulation mode, regulates the P2 and P3 pressures to achieve force equilibrium. Thus, the valve operates in modulation mode.

Main Components



| Connection | DN | | L | | h | | H | |
|------------|--------|-----|-------|-----|------|------|-------|-----|
| | inch | mm | inch | mm | inch | mm | inch | mm |
| Threaded | 3/4" | 20 | 6,50 | 165 | 1,02 | 26,0 | 6,30 | 160 |
| | 1" | 25 | 6,50 | 165 | 1,02 | 26,0 | 6,30 | 160 |
| | 1 1/4" | 32 | 6,50 | 165 | 1,18 | 30,0 | 6,46 | 164 |
| | 1 1/2" | 40 | 8,78 | 223 | 1,46 | 37,0 | 8,94 | 227 |
| | 2" | 50 | 8,78 | 223 | 1,57 | 40,0 | 9,06 | 230 |
| | 2 1/2" | 65 | 8,98 | 228 | 1,89 | 48,0 | 9,37 | 238 |
| | 3" | 80 | 11,81 | 300 | 2,40 | 61,0 | 11,61 | 295 |
| Flanged | 2" | 50 | 11,28 | 261 | 3,25 | 82,5 | 10,63 | 270 |
| | 2 1/2" | 65 | 11,28 | 267 | 3,64 | 92,5 | 11,02 | 280 |
| | 3" | 80 | 15,59 | 396 | 3,84 | 97,5 | 12,99 | 330 |
| Victaulic | 3" | 80 | 11,81 | 300 | 2,05 | 52,0 | 11,22 | 285 |
| | 4" | 100 | 11,81 | 300 | 2,26 | 57,5 | 11,42 | 290 |



Trade Fairs





Kemalpaşa OSB Mahallesi Kuzey Sanayi Caddesi
Dış Kapı No:13
Kemalpaşa / İzmir

+90 232 458 49 99
+90 232 458 57 67

TYPHOON®

www.tayfursu.com.tr | info@tayfursu.com.tr

Her
Fabrika
Bir
Kaledir*

H. Atatürk



* Every factory is a fortress